



SWITCH CAP
P/N:SC005



Materials ABS

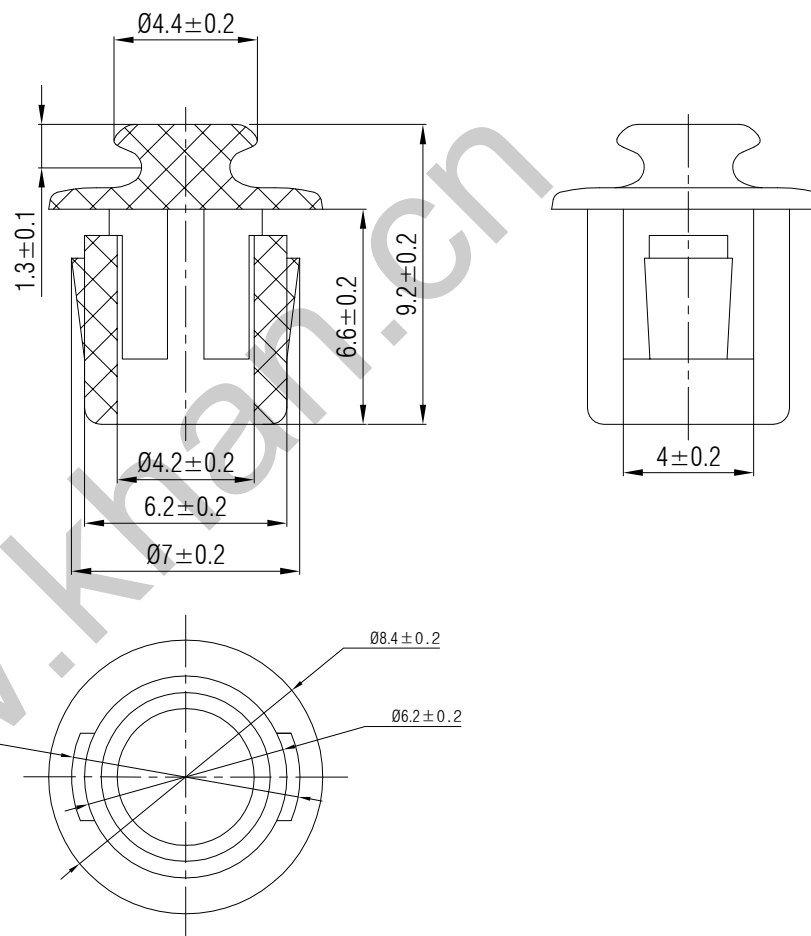
Color Red,Black
(OEM AVAILABLE)

Packaging

Bulk Package

Inner Package: Plastic bag

Outer Package: Carton



WENZHOU KHAN ELECTRONIC

| | | | | |
|-----------|------|-------------------------------------|------------|--------------|
| VERSION | | PROJECTION | DESIGNED | Wei Lin |
| KH14FE22E | | | CHECKED | ZhongJu Peng |
| SCALE | SIZE | Dimensions are shown:mm(inches) | APPROVED | Johan Xu |
| 5:1 | A4 | | 2022.05.11 | |